

# UXL550-2FRi



## Features

**Valve Regulated Lead Acid Battery**

- AGM Non-Spillable type
- Flame retardant container (UL94 V-0)
- Maintenance Free (No water topping required)
- Valve regulated
- Fitted with Explosion proof Filter
- No equalizing charge required
- Low self-discharge
- Easy handling
- Compact in size
- Conform to UN2800 special provision A67 in IATA Dangerous Goods Regulation and NOT to subject to IATA Dangerous Goods Regulations

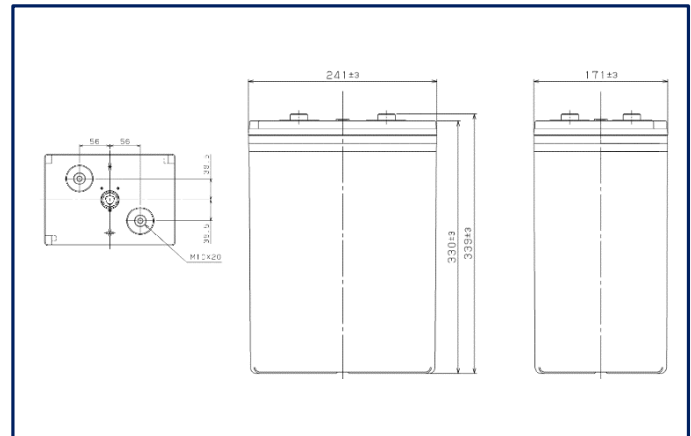


**UL**  
MH64763

## General Specification

Nominal Voltage (V)	2
Capacity (Ah/10HR)	500
Dimension (mm)	Length 171 +/- 3 Width 241 +/- 3 Case Height 330 +/- 3 (Overall Height 339 +/- 3)
Terminal	Nut Insert Terminal (M10)
Approx. Weight (kgs)	34.8
Container	Flame Retardant ABS (UL94 V-0)
Design Life at 20°C	15 Years in Float Use
Maximum Continuous Discharge current	1500A for 3 minutes
Float Charging Voltage	2.23V/cell at 25°C

Maximum charging current	0.25CA
Operation Temperature	Charging : -15°C ~ 45°C Discharging : -15°C ~ 45°C Storage : -20°C ~ 50°C



## Discharge Performance at 25°C

F.V.	Unit	Discharge Time										
		1 min	5 min	10 min	15 min	30 min	1 h	2 h	3 h	5 h	8 h	10 h
1.80V	W	1404	1313	1162	1033	799	548	351	262	174	120	98.5
	A	780	723	67	565	430	288	182	135	89.3	61.0	50.0
1.75V	W	1530	1448	1265	1121	827	570	363	265	178	122	99.5
	A	875	818	700	617	446	300	189	137	91.7	62.5	50.5
1.70V	W	1725	1569	1323	1192	855	586	376	271	182	125	100
	A	1000	900	764	659	464	311	196	141	94.3	63.3	51.0
1.67V	W	1826	1622	1404	1223	880	603	386	283	186	125	102
	A	1089	942	800	679	479	316	199	144	95.2	64.1	51.5
1.65V	W	1837	1679	1427	1248	895	603	386	283	186	128	103
	A	1109	988	823	701	490	321	202	147	96.2	64.9	52.1



GS Battery Vietnam Co. Ltd is fully own by GS Yuasa Japan. GS Yuasa is the world's second largest battery company and a 100+ year old Japanese corporation.

Ref: 2012-UXL550N-DTS-GSVEN-R2